

Tenn Up

An extension of the Tenn Pendant, the Tenn Up provides the same minimal design and solid timber body, but adds independently controlled up-lighting within the aluminium cap.

Technical Details

Application	Kitchen islands and dining tables
Dimensions	40w x 51h (mm)
Material	Solid Hardwood, Aluminium, Opal Acrylic, Integral LED Lighting
Voltage	24V DC
CRI	90
Wattage	20W per metre
Lumens	750lm per metre both up and down
Install	Installed with two remote drivers. Must be installed by a licensed electrician.
Dimming	Phase Cut (Universal Dimming) Other dimming types on request

Create a Custom Pendant

Pendant	Tenn Up	TNUP
Timber	Victorian Ash Spotted Gum Tasmanian Blackwood White Oak Custom	VA SG TB WO C
Length	900mm 1200mm 1800mm 2000mm 2200mm 2500mm 2800mm 3000mm Custom	L90 L12 L18 L20 L22 L25 L28 L30 (_m)
Cap Colour	Black White Custom	CB CW CC
LED Colour Temperature	2700K Warm White 3000K Bright Warm White 4000K Cool White	27K 3K 4K
Dimming Type	Phase Cut DALI	PH DD
Ceiling Plate	Small Plate Ø76 Large Plate Ø106 Canopy Ø80	76 106 80
Ceiling Plate Colour	White Black	W B
Cable Colour	Silver Black White	SC BC WC
Drop Length	1.5m Standard Custom	1.5m _m

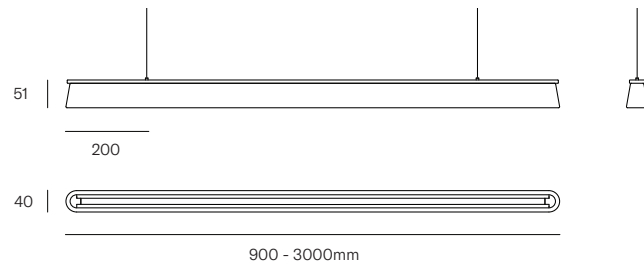
Example code: TNUP - VA - L90 - CB - 27K - PH - SW - W - SC - 1.5m



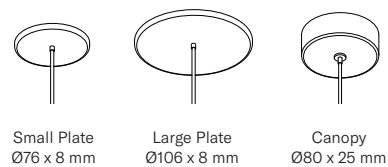
Timber



Dimensions

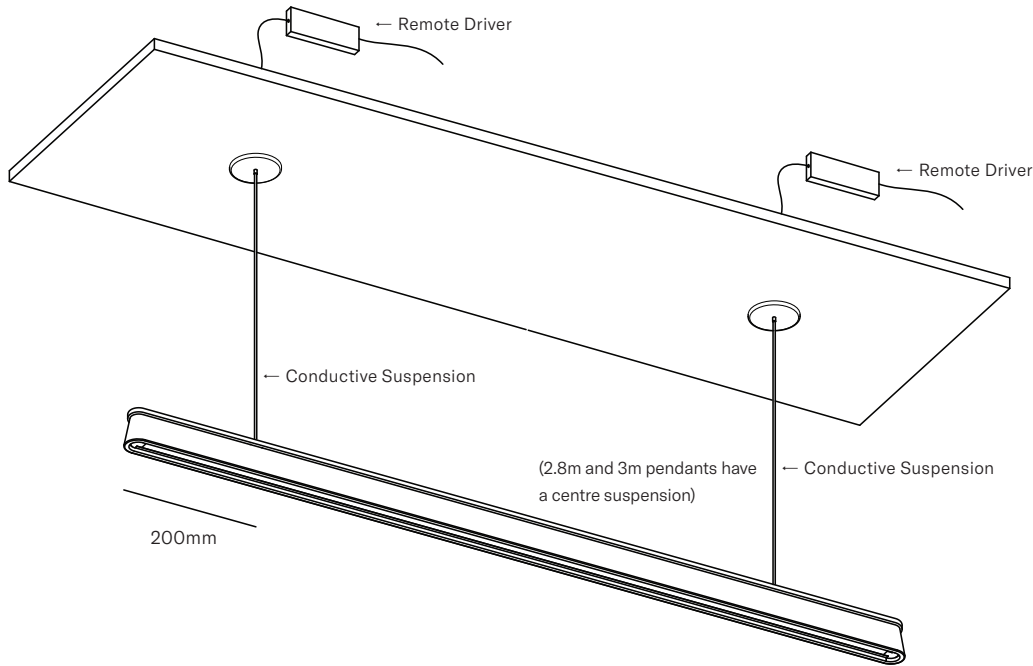


Ceiling Plate



Tenn Up

Installation

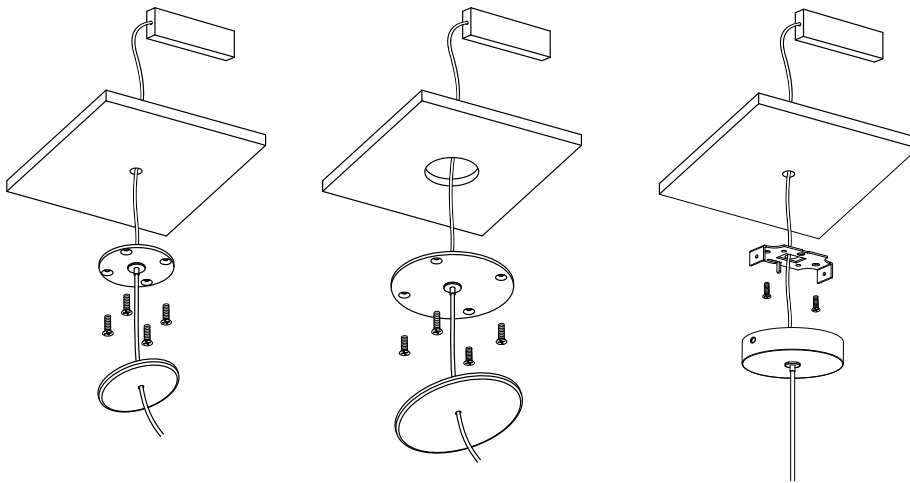


Installation Notes:

All height adjustments are on the ceiling plate, do not adjust the cable at the gripper (fixed to the timber).

The grub screw at the gripper barrel is not to be adjusted. Adjusting this component can damage the power cable, and void the warranty.

Ceiling Plate Details



Small Plate
Ø76 x 8mm

Suitable for full ceiling access to place the remote driver from above.

Cutout hole: 10-20mm

Large Plate
Ø106 x 8mm

Suitable for limited ceiling access to place the remote driver from below.

Cutout hole: 60mm

Canopy
Ø80 x 25mm

Suitable for full ceiling access to place the remote driver from above.

Cutout hole: 10-20mm

*Please advise if the installation is on a pitched ceiling.

A flexible knuckle will be provided on the ceiling plate for this installation.