

# Ceiling Plate Options

## Sizes

---



Mini Plate  
( $\phi 40 \times 6\text{mm}$ )



Medium Plate  
( $\phi 76 \times 8\text{mm}$ )



Large Plate  
( $\phi 106 \times 8\text{mm}$ )



JBox Canopy  
( $\phi 81 \times 25\text{mm}$ )

## Finishes

---



White



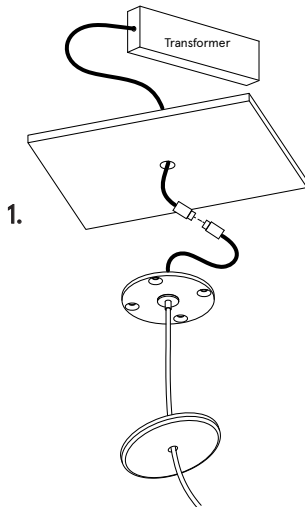
Black



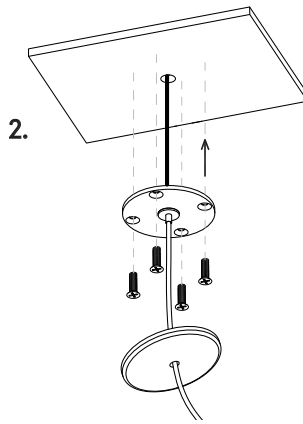
Powdercoated Brass  
(Solid Brass on Request)

# Mini 40mm Ceiling Plate

## Installation Instructions

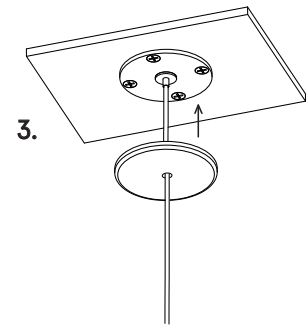


1. Prep the ceiling with an approx. 10mm hole. Place the transformer in the ceiling and feed the cable through the hole into the room. Connect the single electrified cable to the transformer.



2. Screw the mounting plate to the ceiling using appropriate fasteners for the ceiling substrate.

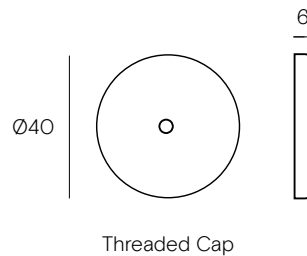
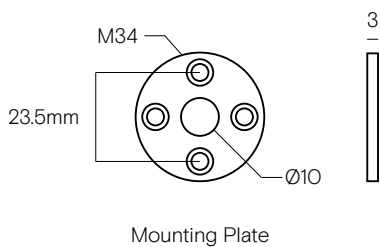
\*The transformer needs to be accessible for maintenance purposes.



3. Screw the threaded cover plate onto the mounting plate.

\*Push up the metal cable gripper on the mounting plate to adjust the cable length.

## Dimensions



## Finishes



White

Black

Powdercoated Brass  
(Solid Brass on Request)

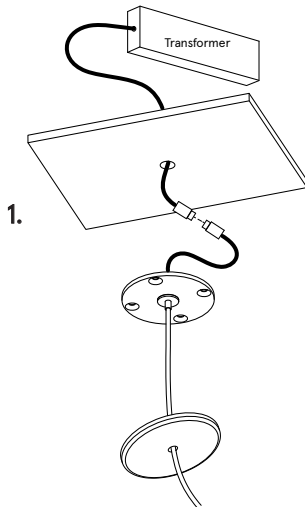
## Note

This is a mini ceiling plate only suitable for hard ceiling substrates or install into timber studs. The transformer will need to be placed in the ceiling through another access point.

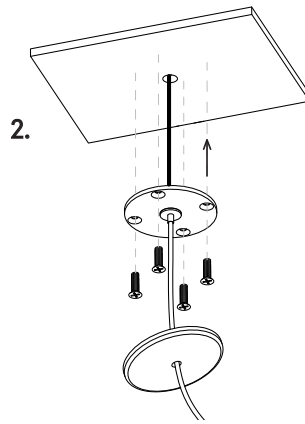
This ceiling plate is not suitable for plasterboard installations.

# 76mm Ceiling Plate

## Installation Instructions

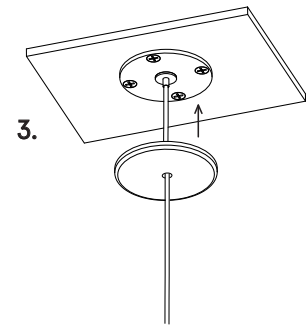


1. Prep the ceiling with an approx. 15mm hole. Place the transformer in the ceiling and feed the cable through the hole into the room. Connect the single electrified cable to the transformer.



2. Screw the mounting plate to the ceiling using appropriate fasteners for the ceiling substrate.

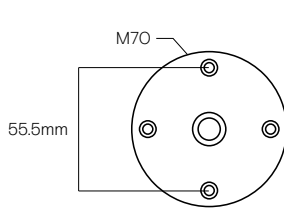
\*The transformer needs to be accessible for maintenance purposes.



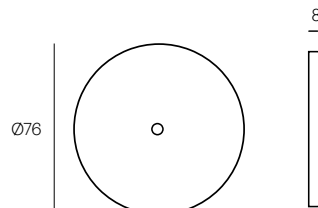
3. Screw the threaded cover plate onto the mounting plate.

\*Push up the metal cable gripper on the mounting plate to adjust the cable length.

## Dimensions



Mounting Plate



Threaded Cap



## Finishes



White

Black

Powdercoated Brass  
(Solid Brass on Request)

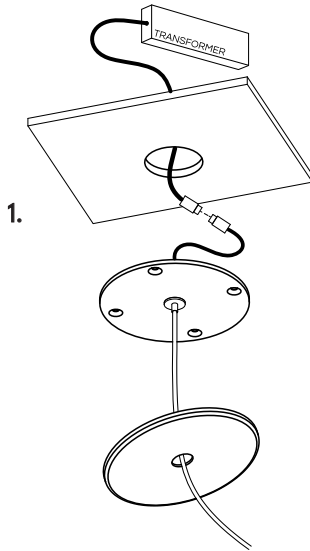
## Note

This ceiling plate will suit installations with a small 10-30mm hole in the ceiling. The transformer will need to be placed in the ceiling through another access point.

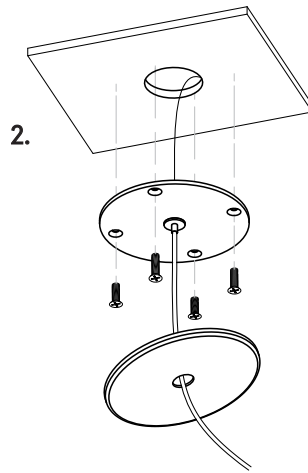
This ceiling plate is suitable for all ceiling substrate installations including plasterboard.

# 106mm Ceiling Plate

## Installation Instructions

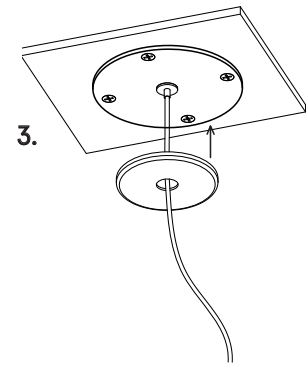


1. Prep the ceiling with a hole to suit the transformer size. Place the transformer in the ceiling and connect the single electrified cable to the transformer.



2. Screw the mounting plate to the ceiling using appropriate fasteners for the ceiling substrate.

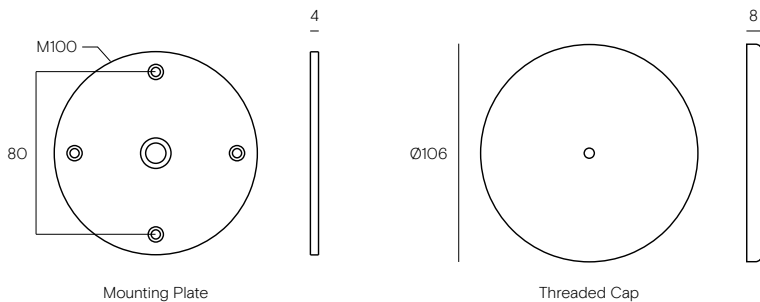
\*The transformer needs to be accessible for maintenance purposes.



3. Screw the threaded cover plate onto the mounting plate.

\*Push up the metal cable gripper on the mounting plate to adjust the cable length.

## Dimensions



## Finishes



White

Black

Powdercoated Brass

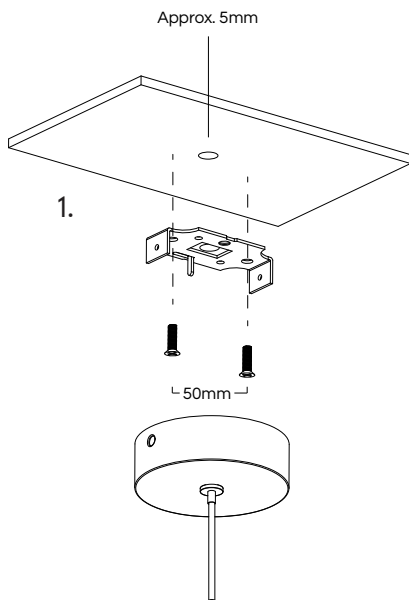
## Note

This ceiling plate will suit installations with a large hole in the ceiling (up to  $\varnothing 65\text{mm}$ ). The transformer can be placed through the large hole into the ceiling cavity.

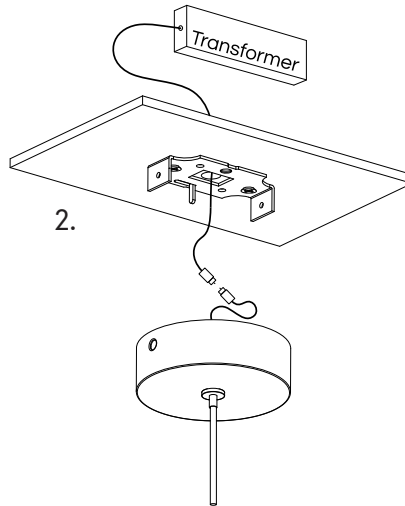
This ceiling plate is suitable for all ceiling substrate installations including plasterboard.

# 80mm Ceiling Canopy

## Installation Instructions

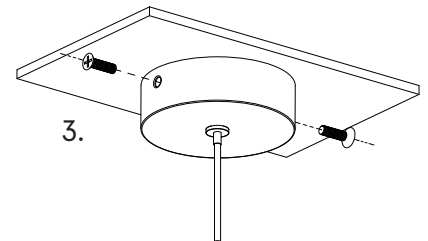


1. Fix the ceiling bracket to the ceiling using an appropriate fastener for the substrate. Prep the ceiling with an (approx. 5mm hole).



2. Connect the single electrified cable to the driver. Remote driver needs to be accessible for maintenance purposes.

\*The transformer needs to be accessible for maintenance purposes.



3. Fasten Canopy to the ceiling bracket using both canopy screws, ensure screws are tight.

\*Push up the metal cable gripper on the ceiling canopy to adjust the cable length.